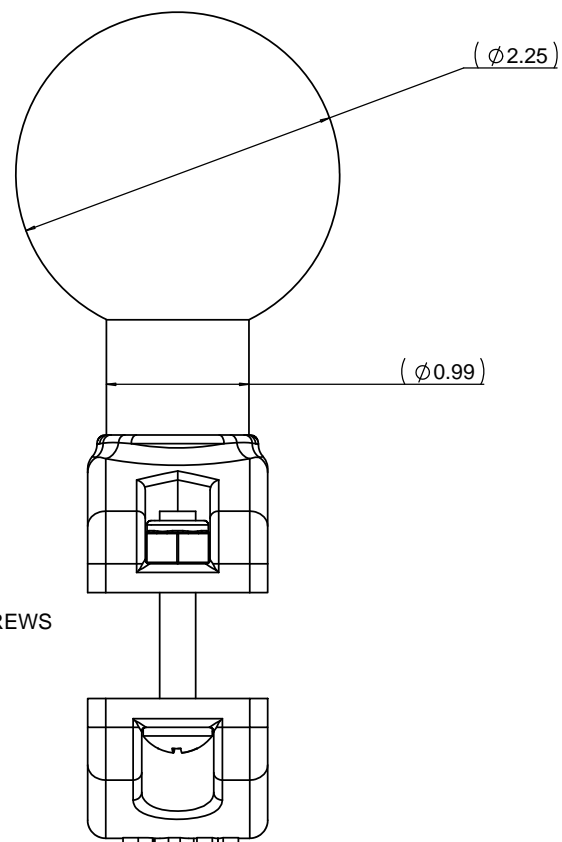
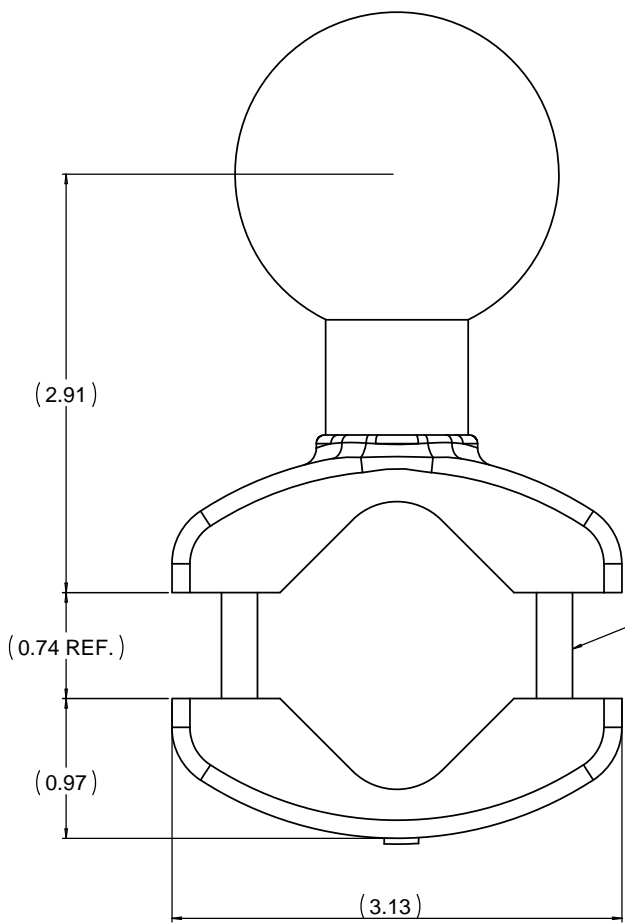
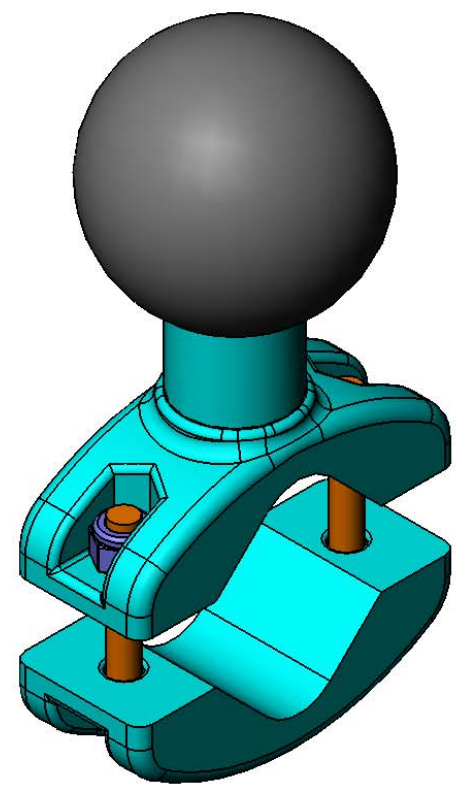
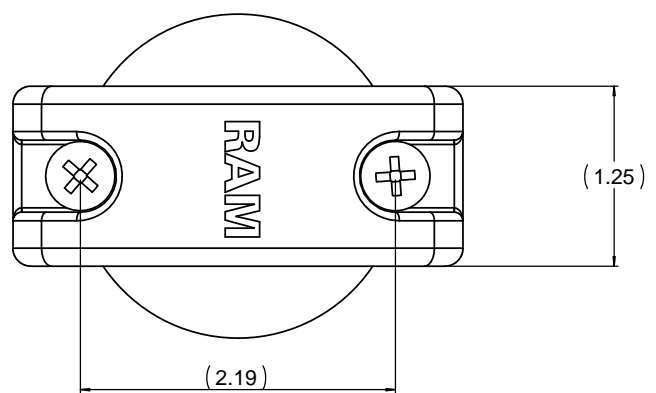


THE INFORMATION CONTAINED IN THIS DRAWING IS THE SOLE PROPERTY OF NATIONAL PRODUCTS INC. ANY REPRODUCTION IN PART OR WHOLE WITHOUT THE WRITTEN PERMISSION OF NATIONAL PRODUCTS INC. IS PROHIBITED.

REV.		DESCRIPTION	REVISIONS	DATE	APPROVED



1/4"-20 STST MACHINE SCREWS



UNLESS OTHERWISE SPECIFIED DIMENSIONS ARE IN INCHES TOLERANCES ARE: FRACTIONS DECIMALS ANGLES + 1/32 - .005 + .06 + .1 DEG. XXX - .030	CAD GENERATED DRAWING. DO NOT MANUALLY UPDATE		NATIONAL PRODUCTS INC.	
	APPROVALS	DATE	RAM 1 1/4" to 1 7/8" RAIL MOUNT BASE WITH 2 1/4" DIA. RUBBER BALL	
	DRAWN JDC	03/14/16	ISS: DWG: NO:	REV
	CHECKED CMR	03/14/16	SCALE 1 TO 1	CAD: TEL: RAM-D-271U-12 SHEET 1 OF 1
MATERIAL: ALUMINUM, STST, RUBBER	DESIGNED			
FINISH: BLACK	MFG ENG			
DO NOT SCALE DRAWING	DUAL ENG			