



DC-782

Counting Scale

Speed Up Your Counting Operations

High internal resolution 1/1,000,000

High contrast LCD with back-light

Completely portable by using rechargeable battery

25x item code memory and 10x preset key

Data output via RS-232C I/F



**Searching for
a New Balance**

General Specifications

Model	DC-782									
Capacity	500g/1lb	1kg/2.5lb	2.5kg/5lb	5kg/10lb	10kg/25lb	25kg/50lb	3kg/6lb	6kg/lb	15kg/30lb	30kg/60lb
Display Resolution	1/2,500 1/5,000 1/10,000 (selectable)						1/3,000 1/6,000 1/7,500 (selectable)			
Power Supply	AC 240/230/220V, 117/100V (factory preset) DC 6V 5Ah rechargeable battery (optional) Rechargeable Battery backup for more than 380 hours of continuous usage. (Back-light function is off)									
Power Consumption	18W when using AC power 1.2W when using rechargeable battery									
Charging Conditions (for Rechargeable Battery only)	Power Source: AC 240/230/220V, 117/100V Charge Current: 800 mA Charge Time: 12 - 14 hours									
Operating Temperature	-10 °C to +40 °C									
Operating Humidity	15 ~ 85% RH									
Platter Size	Large platter: 300 x 225 mm. (Capacity: 2.5kg~30kg) Middle platter: 249 x 182 mm. (Capacity: 1kg) Small platter: 204 x 146 mm. (Capacity: 500g)									

Analog Specifications

Input Sensitivity	1m V/V
Zero Adjust Range	0 ± 5mV
Zero Balance Range	0 ± 0.5mV
L/C Applied Voltage	DC 3.3V
Speed of A/D Conversion	10 times/sec
Internal Resolution	1,000,000

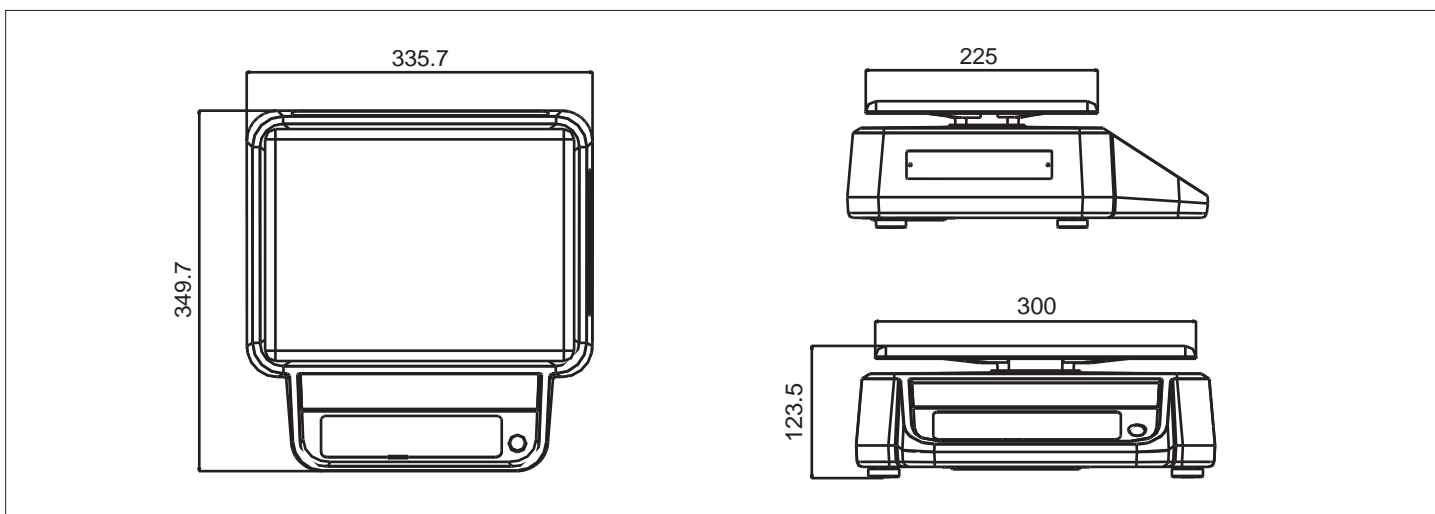
Display Specifications

Weight Display	5 digits
Unit Weight Display	5 digits
Quantity Display	6 digits

Options

Rechargeable battery
RS232C I/F

External Dimensions (mm)



*Specifications are subject to change without prior notice.

SHANGHAI TERAOKA ELECTRONIC CO., LTD.

TINGLIN INDUSTRY DEVELOPMENTAL ZONE,
JINSHAN COUNTY, SHANGHAI 201505

TEL: +86-21-57234888

FAX: +86-21-57233049

<http://www.digisystem.com>