



USER MANUAL

Elo Touch Solutions Status Light Kit



No part of this publication may be reproduced, transmitted, transcribed, stored in a retrieval system, or translated into any language or computer language, in any form or by any means, including, but not limited to, electronic, magnetic, optical, chemical, manual, or otherwise without prior written permission of Elo Touch Solutions, Inc.

Disclaimer

The information in this document is subject to change without notice. Elo Touch Solutions, Inc. and its Affiliates (collectively "Elo") makes no representations or warranties with respect to the contents herein, and specifically disclaims any implied warranties of merchantability or fitness for a particular purpose. Elo reserves the right to revise this publication and to make changes from time to time in the content hereof without obligation of Elo to notify any person of such revisions or changes.

Trademark Acknowledgments

Elo, Elo (logo), Elo Touch, Elo Touch Solutions, and EloView are trademarks of Elo and its Affiliates.

Table of Contents

Section 1: Introduction4

Section 2: Mechanical Installation5

Section 3: Software Installation9

Section 4: Maintenance Information11

Section 5: Technical Support12

Section 6: Regulatory Information13

Section 7: Warranty Information21

Section 1: Introduction

Product Description

The Elo Status Light Kit is an optional attachment designed specifically for Android I-Series 2.0 Interactive Signage System. The Status Lights comes in two versions VALUE and STANDARD. The micro-USB based STANDARD version works only with the standard version Android I-Series 2.0. The GPIO based VALUE version works only with the value version Android I-Series 2.0. The Status Lights can be used to indicate a room's occupancy status. The Status Lights are configurable to work with most applications and work with Android I-Series 2.0 that is powered through the AC power brick or the PoE Module (PN E615169).

Precautions

Follow all warnings, precautions and maintenance as recommended in this user manual to maximize the life of your unit and prevent risks to user safety. See Section 6 for more information on safety and Section 4 for more information on maintaining the status light kit.

For your health and safety, it is strongly recommended that the status light is only used for Android I-Series 2.0. Use only up to two status light kits at a time. The manual contains information that is important for the proper setup of the status light kit. Before setting up and powering on your new status light kit, read through this manual, especially the Installation and Regulatory sections

Section 2: Mechanical Installation

Unpacking the Status Light Kit

Verify that the box contains:

- For STANDARD Version (PN: E466847):
 - Status Light with micro-USB connector
 - Quick Installation Guide
 - 2x Screws
 - 2x Screw covers

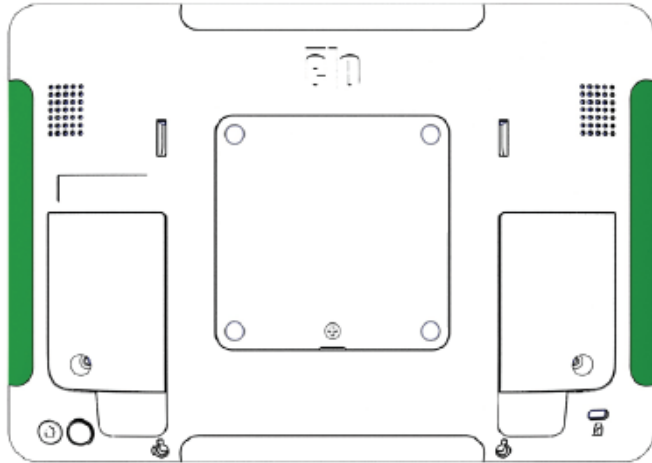
- For VALUE Version (PN: E651272):
Status Light with GPIO port and without micro-USB connector
 - 200mm GPIO male to male Cable
 - 525mm GPIO male to male Cable
 - Quick Installation Guide
 - 2x Screws
 - 2x Screw covers
 - 4x Cable clips

Attaching the Status Light Kit

The STANDARD and VALUE versions of the Status Lights can be installed into either portrait or landscape configuration.

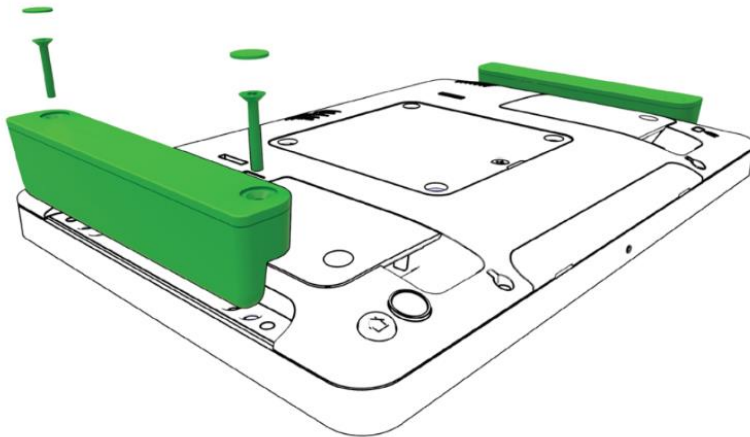
Standard Version Installation (E466847)

1



Remove the Edge Connect peripheral covers to expose the peripheral bay. Up to two Status Lights can be installed on a single I-Series 2.0 display.

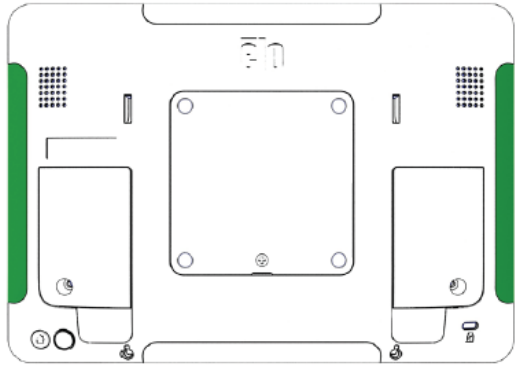
2



Gently press the status light into the Edge Connect peripheral bay making sure the connector is seated. Then install the included screws and screw covers.

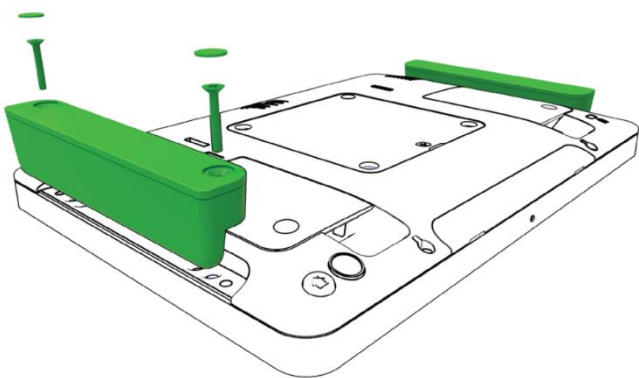
Value Version Installation (E651272)

1



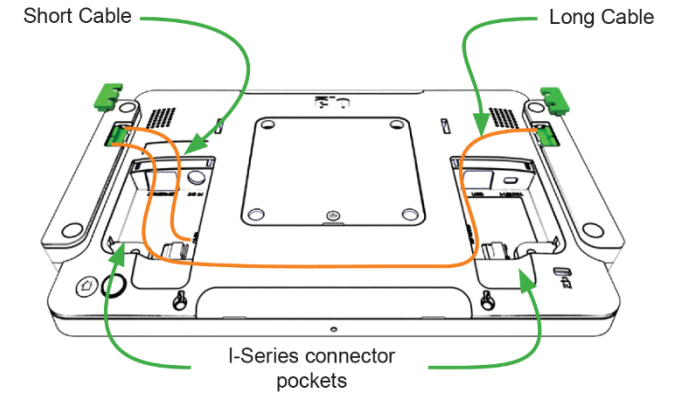
Remove the Edge Connect peripheral covers to expose the mounting interface. Up to two status lights can be installed on a single I-Series 2.0 display.

2

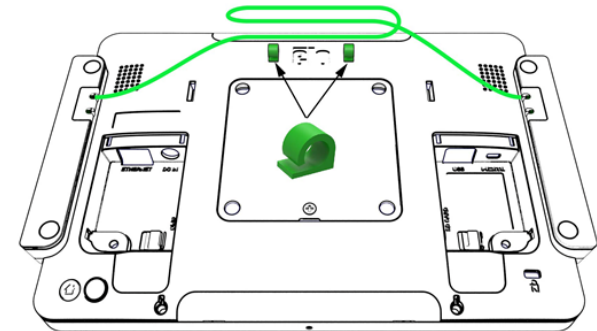


Fasten the Status Light to the I-Series 2.0 using the included screws and screw covers

3



For cable routing, use cable clips (included in the box). An example of cable routing shown below:



Section 3: Software Installation

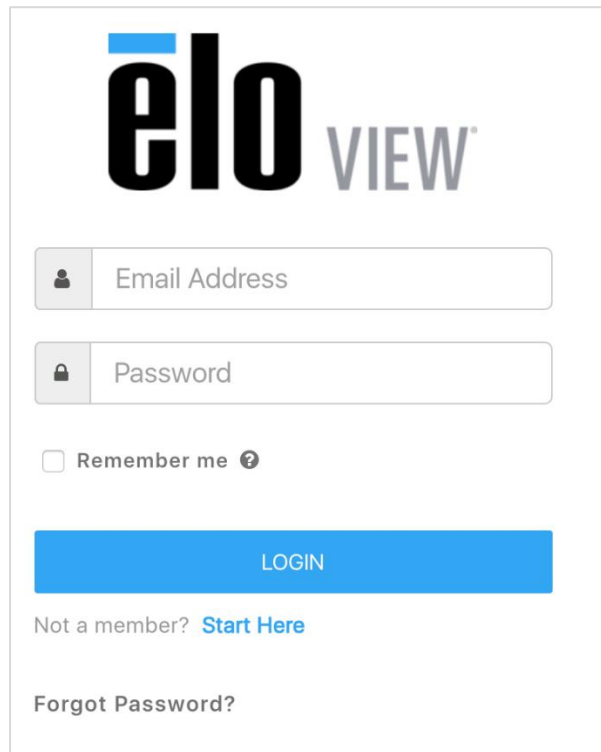
Out-of-box Settings

Out-of-the box, I-Series 2.0 settings will have status light kit disabled by default.

- To enable go to **Settings > Devices > Configure Devices > Status Light Kit**

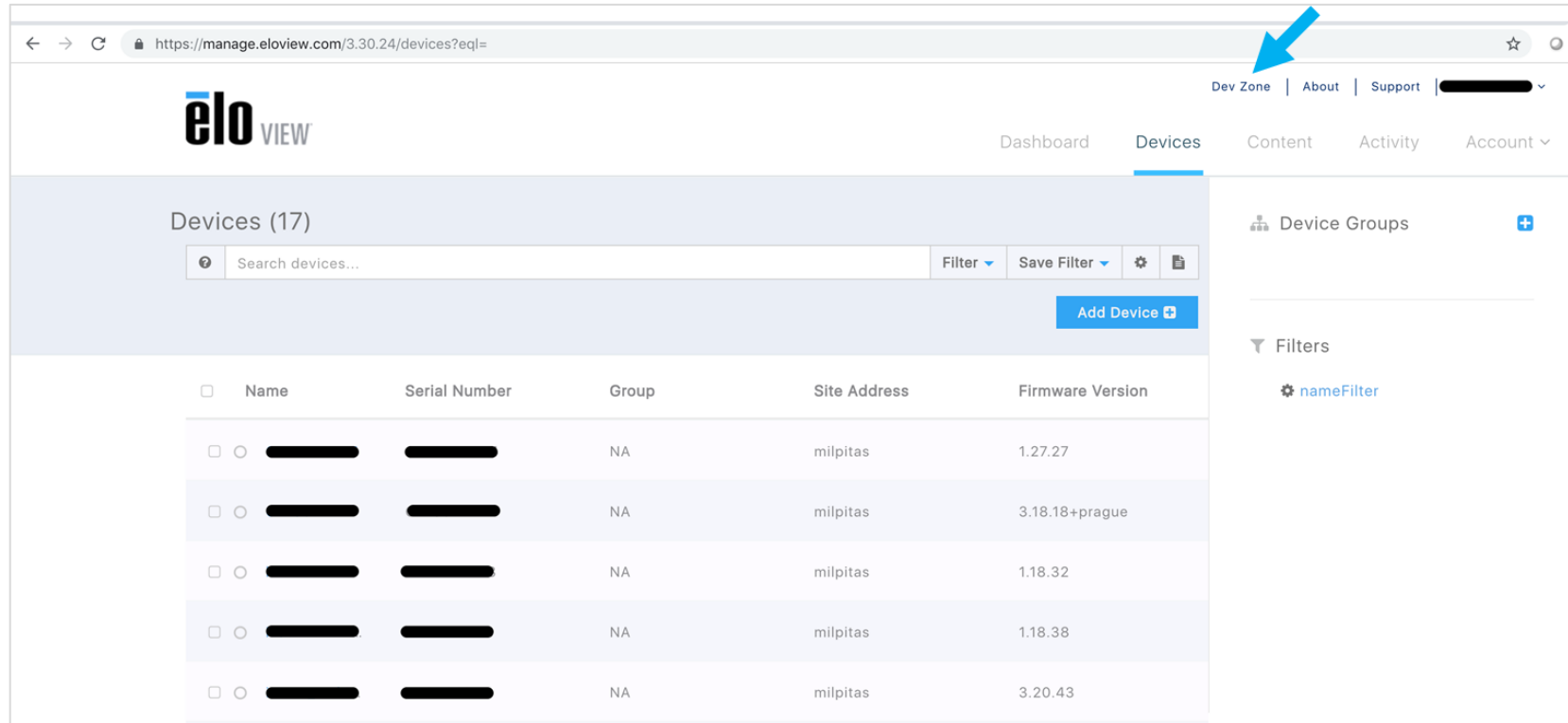
For latest Software Development Kit (SDK) for the Status Light Kit, including demo app, jar file, source code, and guidance documentation (e.g. javadocs), go to Dev Zone from manage.eloview.com:

- Go to manage.eloview.com and sign in to the portal

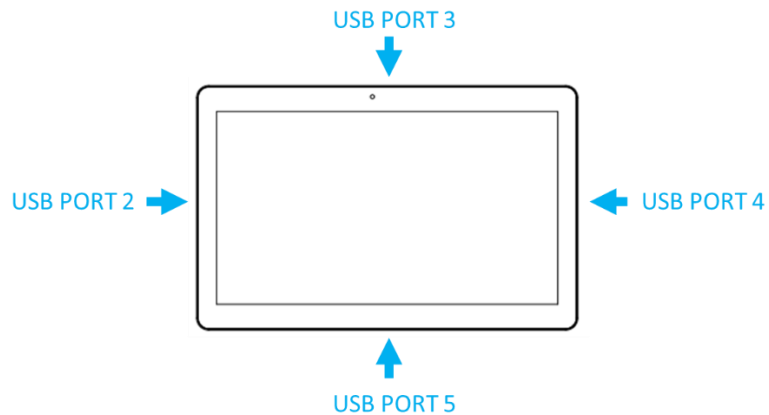


The screenshot shows the login interface for the ELO VIEW portal. At the top is the ELO VIEW logo. Below it are two input fields: 'Email Address' with a person icon and 'Password' with a lock icon. There is a 'Remember me' checkbox with a help icon. A blue 'LOGIN' button is positioned below the fields. At the bottom, there are links for 'Not a member? Start Here' and 'Forgot Password?'.

- Navigate to Dev Zone



Note: API allows for control of individual status light connected through different ports on the standard I-Series 2.0. Refer to below diagram for the port numbering / layout for the SLK on standard Android I-Series 2.0.



Section 4: Maintenance Information

To clean dust or dirt off of the Status Light lens:

1. Mix warm water and dish soap to obtain a mild cleaning solution.
2. Dip a soft cloth into the mild cleaning solution.
3. Wring out any excess solution from the cloth.
4. Gently wipe the outer surface of the lens.
5. After Status Light is free from dirt or dust, wash off the soap from the cloth with warm water, and then wipe down the lens to remove any leftover cleaning solution. **Note: Cleaning solution residue may damage the status light kit lens.**
6. Dry the status light using a soft cloth.

WARNING:

The status light lenses are made of polycarbonate (PC) material. **Cleaning solution containing acid, alkali, or organic solution** will impair the transparency, cosmetic features, and effectiveness of the lens. **Avoid using high concentrations of cleaning solution** and **immediately** wipe off chemicals from the status light kit lens using soft damp cloth.

Section 5: Technical Support

Technical Assistance

Technical Specifications
visit www.elotouch.com/products
for technical specifications for this device

Support
visit www.elotouch.com/support for technical support

Refer to last page for worldwide technical support phone numbers.

Section 6: Regulatory Information

Waste Electrical & Electronic Equipment Directive (WEEE)



This product should not be disposed of with household waste. It should be deposited at a facility that enables recovery and recycling.

Elo has put in place recycling arrangements in certain parts of the world. For information on how you can access these arrangements, please visit www.elotouch.com/e-waste-recycling-program/.

Electrical Safety Information

Compliance is required with respect to the voltage, frequency, and current requirements indicated on the manufacturer's label. Connection to a different power source than those specified herein will likely result in improper operation, damage to the equipment or pose a fire hazard if the limitations are not followed.

There are no operator serviceable parts inside this equipment. There are hazardous voltages generated by this equipment which constitute a safety hazard. Service should be provided only by a qualified service technician.

Contact a qualified electrician or the manufacturer if there are questions about the installation prior to connecting the equipment to mains power.

Emissions and Immunity Information

Notice to Users in the United States. This equipment has been tested and found to comply with the limits for a Class A digital device, pursuant to Part 15 of the FCC Rules. These limits are designed to provide reasonable protection against harmful interference when the equipment is operated in a commercial environment. This equipment generates, uses, and can radiate radio frequency energy and, if not installed and used in accordance with the instruction manual, may cause harmful interference to radio communications. Operation of this equipment in a residential area is likely to cause harmful interference in which case the user will be required to correct the interference at his own expense.. This device complies with Part 15C of the FCC Rules. Operation is subject to the following two conditions:

- 1) This device may not cause harmful interference; and
- 2) This device must accept any interference, including interference that may cause undesired operation of the device.

Notice to Users in Canada:

This equipment complies with the Class A limits for radio noise emissions from digital apparatus as established by the Radio Interference Regulations of Industrial Canada.

CAN ICES3(A)/NMB3(A)

This device complies with Industry Canada's license-exempt RSSs. Operation is subject to the following two conditions:

- (1) This device may not cause interference; and
- (2) This device must accept any interference, including interference that may cause undesired operation of the device.

Le présent appareil est conforme aux CNR d'Industrie Canada applicables aux appareils radio exempts de licence. L'exploitation est autorisée aux deux conditions suivantes:

- (1) l'appareil ne doit pas produire de brouillage; et
- (2) l'utilisateur de l'appareil doit accepter tout brouillage radioélectrique subi, même si le brouillage est susceptible d'en compromettre le fonctionnement.

Notice to Users in the European Union: Use only the provided power cords and interconnecting cabling provided with the equipment. Substitution of provided cords and cabling may compromise electrical safety or CE Mark Certification for emissions or immunity as required by the following standards:

This Information Technology Equipment (ITE) is required to have a CE Mark on the Manufacturer's label which means that the equipment has been tested to the following Directives and Standards: This equipment has been tested to the requirements for the CE Mark as required by EMC Directive 2014/30/ EU as indicated in European Standard EN 55032 Class A and the Low Voltage Directive 2014/35/EU as indicated in European Standard EN 60950-1.

General Information to all Users: This equipment generates, uses and can radiate radio frequency energy. If not installed and used according to this manual, the equipment may cause interference with radio and television communications. There is, however, no guarantee that interference will not occur in any particular installation due to site-specific factors.

1. In order to meet emission and immunity requirements, the user must observe the following:
 - a. Use only the provided I/O cables to connect this digital device with any computer.
 - b. To ensure compliance, use only the provided manufacturer's approved line cord.
 - c. The user is cautioned that changes or modifications to the equipment not expressly approved by the party responsible for compliance could void the user's authority to operate the equipment.
2. If this equipment appears to cause interference with radio or television reception, or any other device:
 - a. Verify as an emission source by turning the equipment off and on. If you determine that the equipment is causing the interference, try to correct the interference by using one or more of the following measures:
 - i. Move the digital device away from the affected receiver.
 - ii. Reposition (turn) the digital device with respect to the affected receiver.
 - iii. Reorient the affected receiver's antenna
 - iv. Plug the digital device into a different AC outlet so the digital device and the receiver are on different branch circuits.
 - v. Disconnect and remove any I/O cables that the digital device does not use.
(Unterminated I/O cables are a potential source of high RF emission levels.)
 - vi. Plug the digital device into only a grounded outlet receptacle. Do not use AC adapter plugs. (Removing or cutting the line cord ground may increase RF emission levels and may also present a lethal shock hazard to the user.)

If you need additional help, consult your dealer, manufacturer, or an experienced radio or television technician.

Agency Certifications

The following certifications and marks have been issued or declared for status light kit:

- CE

China RoHS

In accordance to Chinese law (Management Methods for the Restriction of the Use of Hazardous Substances in Electrical and Electronic Products), the section below lists out the name and amount of the toxic and/or hazardous materials that this product may contain.

Hazardous Substances

Component Name	Lead (Pb)	Mercury (Hg)	Cadmium(Cd)	Hexavalent Chromium (Cr6+)	Polybrominated Biphenyls (PBB)	Polybrominated Diphenyl Ethers (PBDE)
Plastic Parts	O	O	O	O	O	O
Wire and Cable Assembly	O	O	O	O	O	O
PCBA	X	O	O	O	O	O

This table is prepared in accordance with the provisions of SJ/T 11364

O: Indicates that said hazardous substance contained in all homogenous materials for this part is below the limit requirement of GB/T 26572.

X: Indicates that said hazardous substance contained in at least one of the homogenous materials used for this part is above the limit requirement of GB/T 26572.

For items marked with X, exemptions were taken according to EU RoHS.

Explanation of Markings

In accordance with the SJ/T11364 requirement, electrical and electronic products are marked with the following pollution control logo.

The Environment-Friendly Use Period for this product is 10 years. The product will not leak or mutate under normal operating conditions listed below, so that the use of this electronic information product will not result in any severe environmental pollution, any bodily injury, or damage to any assets.



Operating Temperature: See chart below

Storage Temperature: See chart below

It is encouraged and recommended that product packaging be recycled and reused according to local laws.



Power Specifications

Electrical Ratings

Input	5V DC
-------	-------

Operating & Storage Conditions

Operating Conditions

Temperature	0°C - 40°C
Humidity	20% to 80% (non-condensing)

Storage Conditions

Temperature	-20°C - 50°C
Humidity	10% to 95% (non-condensing)

Section 7: Warranty Information

For warranty information, go to <http://support.elotouch.com/warranty/>

www.elotouch.com

Visit our website for the latest

- Product Information
- Specifications
- Upcoming Events
- Press Releases
- Software Drivers
- Touchmonitor Newsletter

To find out more about our extensive range of Elo touch solutions, go to www.elotouch.com, or call the office nearest you.

North America

Tel +1 408 597 8000
Fax +1 408 597 8001
customerservice@elotouch.com

Europe

Tel +32 (0) 16 70 45 00
Fax +32 (0) 16 70 45 49
elosales@elotouch.com

Asia-Pacific

Tel +86 (21) 3329 1385
Fax +86 (21) 3329 1400
w www.elotouch.com.cn

Latin America

Tel 786-923-0251
Fax 305-931-0124
w www.elotouch.com

